

# PHOS mini LED PROJECTOR



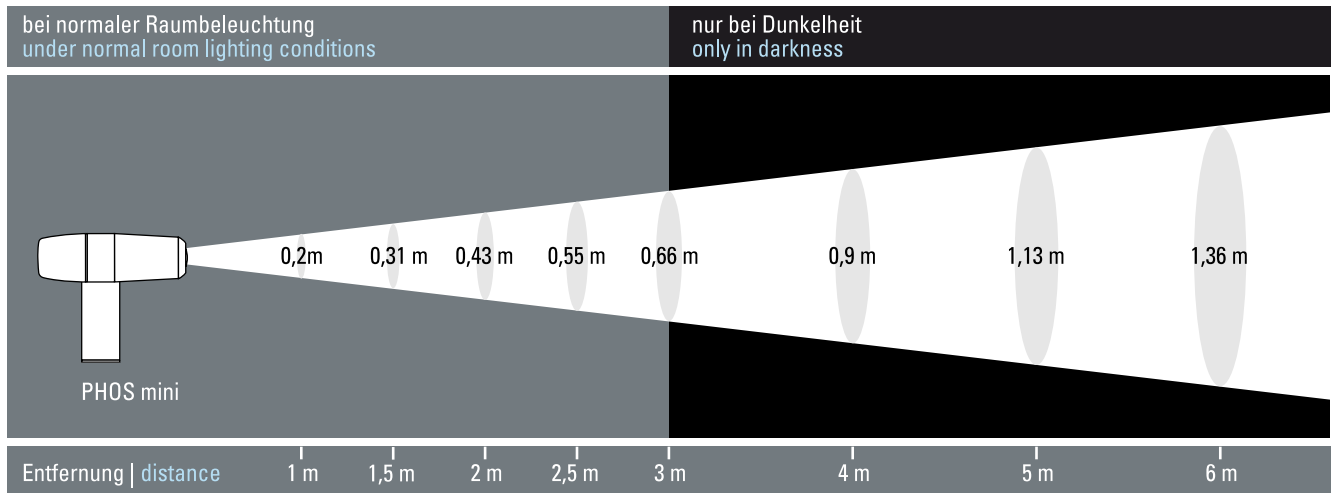
## SPECIFICATIONS

item:	PHOS mini
body:	aluminium
available colours:	silver / black / white
weight:	1.7 kg
on / off switch:	not available
environmental conditions:	for indoor use only
pivot range:	approx. 320° vertical
cooling:	passive, noiseless
light source:	10 W High-Power LED
recommended projection distance in normal room light:	3 m
recommended projection distance in darkness:	6 m
average lifetime of the LED:	35,000 operating hours
colour temperature:	6,500 - 8,000° Kelvin
luminous flux of the LED:	860 Lumen
gobo size / image size:	37.5 mm ø / 20.0 mm ø
voltage:	90 - 264 V AC / 47 - 63 Hz
active power (power consumption):	14 W
apparent power:	36 VA
efficiency:	0.39 cos. φ
electrical protection:	protection class I
item number:	
silver:	20001130
black:	20001120
white:	20001110

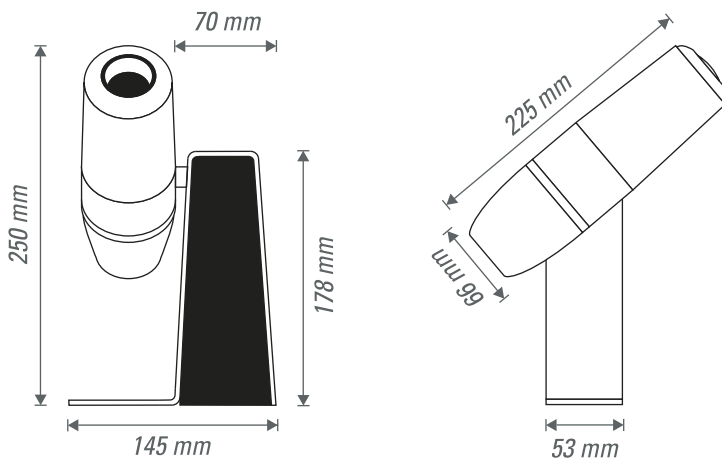
## COMPONENTS

Standard series with high power LED, 85 mm standard lens, mounting plate for standing or fixing to walls or ceilings, power cable with plug. The machine is ready to plug in and run. Required accessories: glass gobo with individually designed motif.

## PROJECTION DIAMETER WITH INCREASING DISTANCE



## MEASUREMENTS



derksen®  
lichttechnik

Derksen Lichttechnik GmbH  
Sauerlandstraße 5  
45889 Gelsenkirchen  
Germany

Phone: +49 (0) 209/980 70-0  
Fax: +49 (0) 209/980 70-60

info@derksen.de  
www.derksen.de